

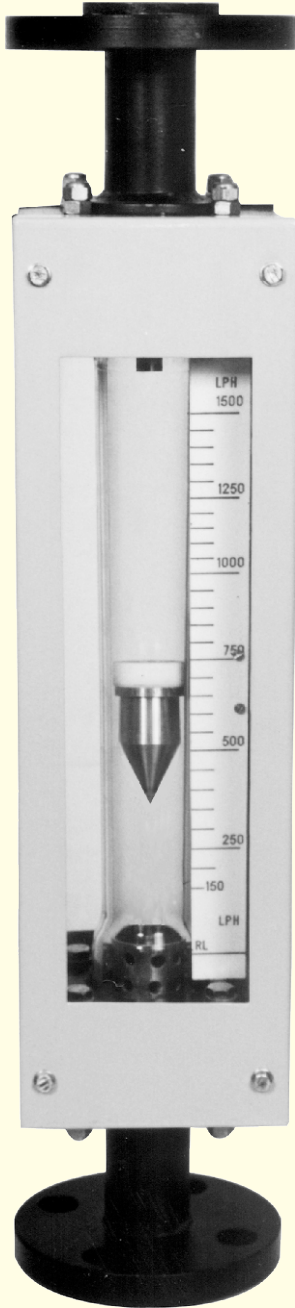


ROTAMETER

GLASS TUBE

Variable Area Flowmeter

Model No.
GTR 500



OPERATING PRINCIPLE

Glass Tube Rotameter is basically a Variable Area Flow Meter. The differential pressure across the annulus area is constant and the flow rate is measured as a function of the annulus area. This area is displayed as the position of a "Float".

STANDARD FEATURES

- * Various Material of Construction
- * Line Size from 15 NB to 80 NB
- * Heavy Duty Design with Maximum Visibility
- * Ranges between 2.0 LPH to 25000 LPH
- * Two Tone Powder Coated Excellent Finish
- * No Threads in Body, Avoids Corrosion
- * Face-To-Face Distance : 500 mm
- * Accuracy : +/- 2% of Full Scale
- * Easy to Maintain and Replace
- * Suitable for on Line Installation
- * Measuring Span : 1:10
- * Glass : Borosilicate
- * Linear Scale
- * Slip on Flange - facilitates change in line of sight
- * Single Piece (jointless) PTFE / PP claded end connections
- * Float is provided with PTFE Indicating Ring which minimizes breakage of Glass Tube



Tansa Equipments Pvt. Ltd.

Unit No. 35/36/41, Om Anand Industrial estate, M. S. Road, Raghunath Nagar, Thane - 400604 (Maharashtra) India.

Tel. : 2583 2323 , 65720669 Fax : 2582 3708,

E-mail : tansaindia@gmail.com / tansa@bom8.vsnl.net.in / tansa@mtnl.net.in

Website : www.tansaequipments.com, www.rotameters.co.in

We also manufacture Glass Tube, Purge type, Acrylic body, by - Pass Rotameters & Orifice Assy.

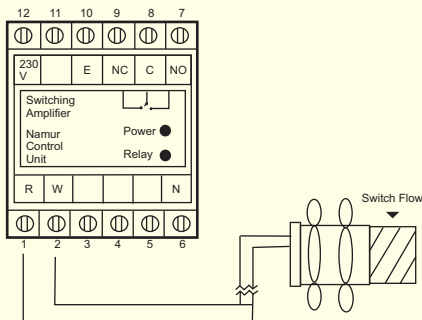


ROTAMETER

GLASS TUBE
Variable Area Flowmeter

Model No.
GTR 500

Wiring Diagram



Technical Specification

Connection - Two wire teflon cable, Length 2 MTR
 Contact Bistable
 Enclosure Class Ip65
 MAX. Voltage 24Vdc
 MAX. Current 100mA

To be used with switching amplifier as shown in wiring diagram Which has namur input (8V/8mA/MAX.) Or with PLC/DCS inputs.

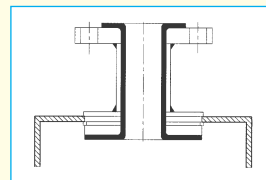
- Control Unit
- Namur as per DIN 19234
- Input 230 V AC / 110 V AC
- ABS Housing
- 35 mm DIN Rail /
- Screwed Fitting
- Adjustable on Complete Span

Glass Tube Rotameter - Switching Amplifier



Measuring Range in LPH of H₂O @ T :- Ambt/Pr :- Atm

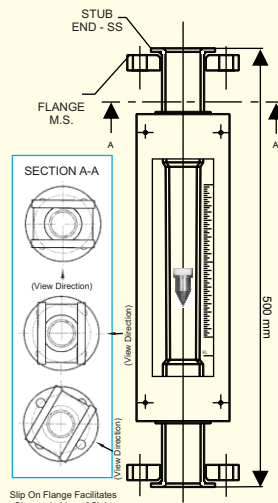
NB	Glass Size	With PTFE Float LPH	With SS 316 Float LPH	Max. Pressure Drop in mmwc	Test Pressure
152025405080	TN 1	2-20	3-30	140	15
	TN 2	3-30	6-60		
	TN 3	4-40	10-100		
	TN 4	6-60	20-200	350	15
	TN 5	8-80	30-300		
	TN 6	12-120	40-400		
	TN 7	18-180	60-600		
	TN 8	20-200	80-800	600	12
	TN 9	40-400	100-1000		
	TN 10	50-500	150-1500		
	TN 11	80-800	250-2500	900	9
	TN 12	90-900	300-3000		
	TN 13	100-1000	350-3500		
	TN 14	150-1500	400-4000		
	TN 15	200-2000	600-6000	900	7
	TN 16	250-2500	700-7000		
	TN 17	400-4000	1000-10000		
	TN 18	500-5000	1500-15000	900	5
	TN 19	600-6000	2000-20000		
	TN 20	800-8000	2500-25000		



PTFE - SINGLE PC (NO JOINT) CLADDING
100% SPARK PROOF



Float with PTFE Ring avoids glass to metal contact and minimizes possibility of Glass Tube breakage



Slip On Flange Facilitates Change In Line of Sight

DATA REQUIRED FOR OFFER

- 1) Tag No.
- 2) Material of Construction of Wetted parts
- 3) Type of Connection
- 4) Flange Size / Rating
- 5) Fluid
- 6) Fluid Density / Sp. Gravity
- 7) Viscosity at Operating Conditions
- 8) Operating Pressure
- 9) Operating Temperature
- 10) Measuring Range

SN	Type	1	2	3	4	5	6
A	Enclosure	MS Powder Coated	SS Powder Coated	SS Buffed	-	-	-
B	Flange - NB	15	25	40	50	80	100
C	Flange Specifications	ASA-150	BS10-T-E	BS10 T-F	Din-10	-	-
D	MOC Wetted	CS	SS304	SS316	CS-PTFE	CS-PP	-
E	Float - MOC	SS316	PTFE	PVC	Aluminium	-	-
F	Flange - MOC	CS	SS304	SS316	-	-	-
G	PTFE Enve. Gland Packing	Nitrite	Silicon	Viton	-	-	-
Enclosure		Flange - Nb	Flange Specifications	MOC Wetted	Float - MOC	Flange - MOC	PTFE Enve. Gland Packing
MSPowder Coated		40	BS10-T-E	CS-PP	SS316	SS316	Silicon
A1		B3	C2	D5	E1	F3	G2

Sample Order Code



Tansa Equipments Pvt. Ltd.

Unit No. 35/36/41, Om Anand Industrial estate, M. S. Road, Raghunath Nagar, Thane - 400604 (Maharashtra) India.

Tel. : 2583 2323 , 65720669 Fax : 2582 3708,

E-mail : tansaindia@gmail.com / tansa@bom8.vsnl.net.in / tansa@mtnl.net.in

Website : www.tansaequipments.com, www.rotameters.co.in

We also manufacture Glass Tube, Purge type, Acrylic body, by - Pass Rotameters & Orifice Assy.